

# SURFACE MOUNT LIGHTS



# SURFACE MOUNT LIGHTS

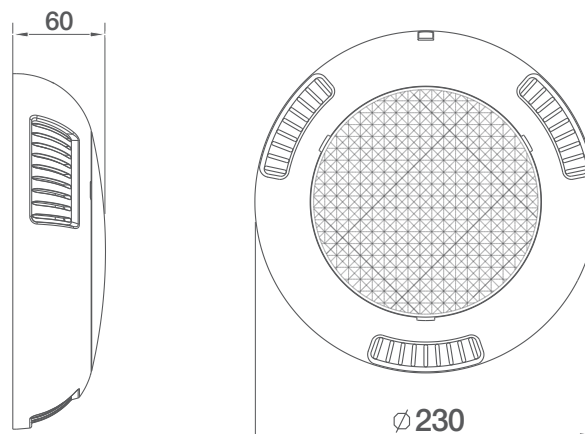


**Material:** ABS  
**Part number:** SLSMLED-252  
**Bulb:** 252LEDs  
**Cable:** 20m  
**Power:** 18W/12V  
**Waterproof Standard:** IP68



**Material:** ABS  
**Part number:** SLSMLED-84  
**Bulb:** 84LEDs  
**Cable:** 20m  
**Power:** 7W/12V  
**Waterproof Standard:** IP68

**Material:** ABS  
**Part number:** SLSMH  
**Bulb:** halgen  
**Cable:** 20m  
**Power:** 100W/12V  
**Light Accessories:** Three colour lens (Red, Green, Blue)  
**Waterproof Standard:** IP68



**Rivendale**  
INTERNATIONAL

27 Westwood Drive  
Deer Park, Victoria 3023  
Ph: +61 3 9390 0700  
Fax: +61 3 9390 0377  
info@rivendale.com.au  
[www.rivendale.com.au](http://www.rivendale.com.au)